

SHOWROOM

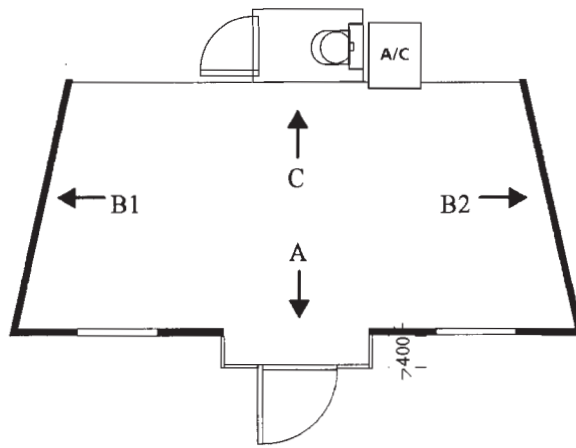
DECK

3.450m

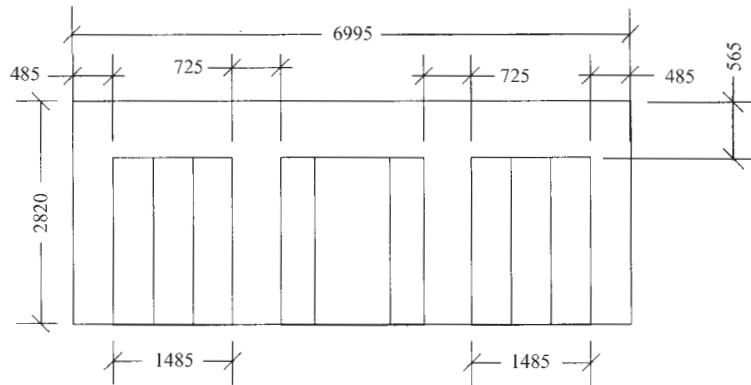
7.2m

FLOOR AND INTERNAL WALL PLANS  
"THE ULTRALINE"

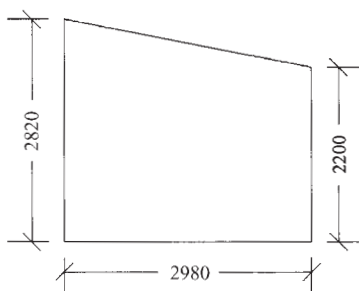
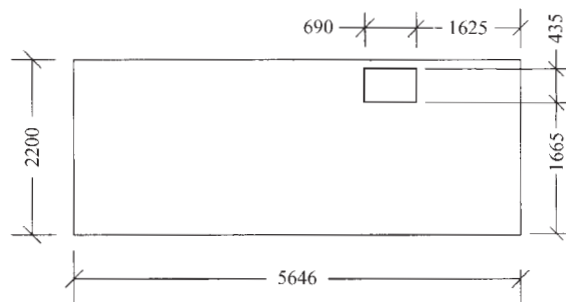
FLOOR PLAN



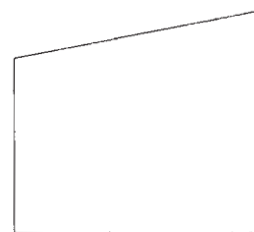
VIEW A (WALL)



VIEW C (WALL)



VIEW B1 (WALL)



VIEW B2 (WALL)

NOTE: Measurements are only approximate